

**Speaker**

**Model: OSS05-42-13A1.0W47-C**



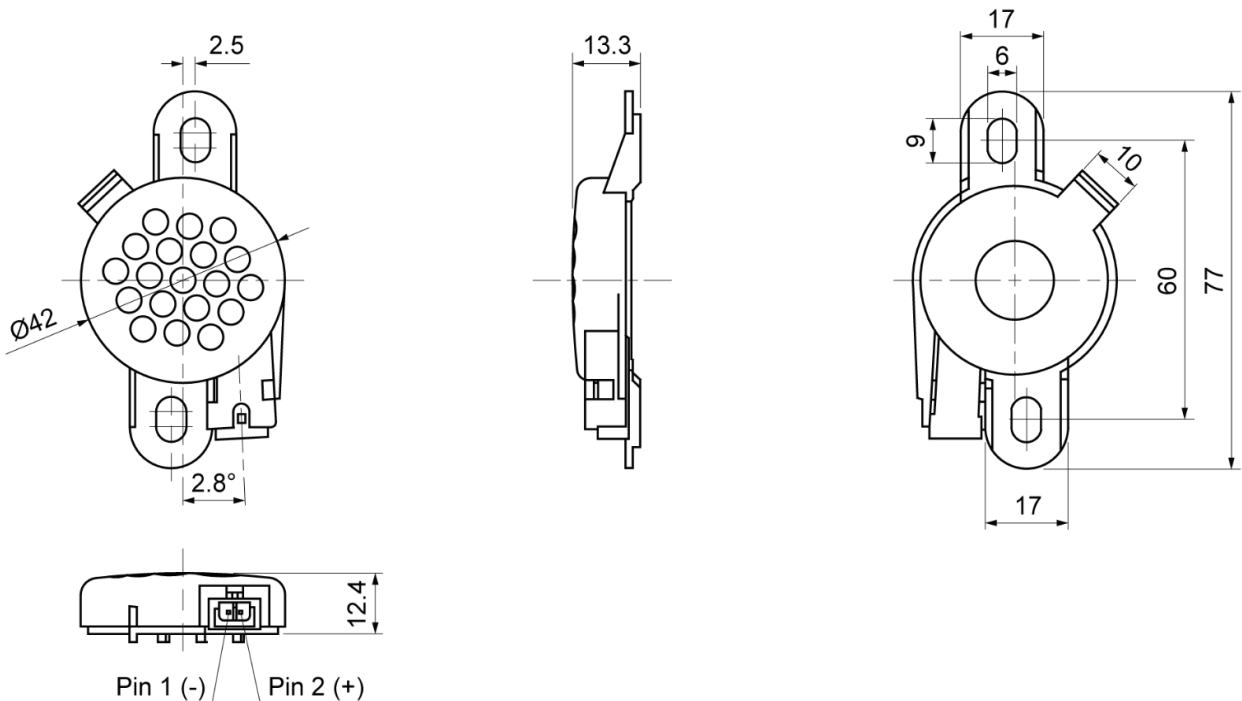
**ELECTRICAL SPECIFICATIONS**

	Condition	Parameter	Unit
Sound Pressure Level	at 0.5W, 0.5M [at avg 1 ~ 2KHz]	85 ± 3	dB
Impedance	at 1V, 1000Hz	50 ± 15%	Ω
Rated Input Power		1	W
Max Input Power		1.5	W
Resonant Frequency (Fo)	at 1V	560 ± 30%	Hz
Frequency Range		F0 ~ 7000	Hz
Buzzer & Rattles	not be audible at sine wave between F0 ~ 20KHz	7	V
Operating Temperature		-40 ~ 85	°C
Magnet		Nd-Fe-B	
Frame Material		PP	
Cone Material		Mylar (PEI)	
Weight		15	g

**MECHANICAL DRAWING**

Dimensions in mm

Tolerance ±0.5mm Except Specified



**Speaker**

**Model: OSS05-42-13A1.0W47-C**

**FREQUENCY RESPONSE CURVE**

